

FOOT MASTER[®]

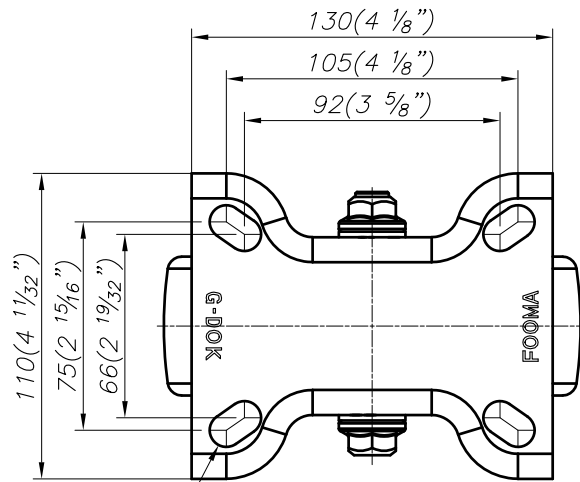
FOOMA[®]

 G-DOK IND.

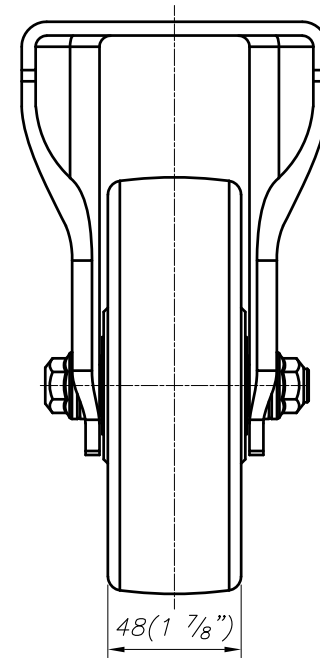
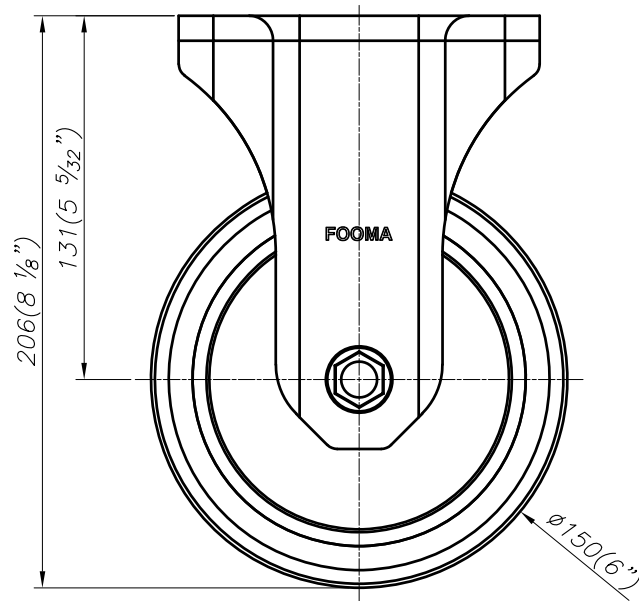
MODEL NAME

PHW-150-BSF-NYD

FOOT MASTER G-DOK IND.



4- $\phi 12(1^{5}/_{32})$ SLOT HOLES
FOR M10 BOLT



FOOT MASTER[®]

FOOMA[®]

 G-DOK IND.

MODEL NAME

PHW-150-ARF-NYD

FOOT MASTER G-DOK IND. FOOT MASTER G-DOK IND.

